

GY6 engine



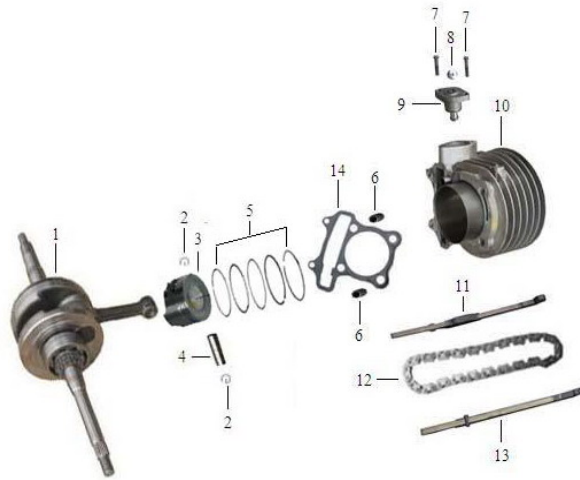
风扇盖/磁电机 Fan cover/Magneto

NO.	PARTS CODE	物料号	零部件名称	DESCRIPTION	UNIT PRICE	ORDER QTY
1	GB/T 16674-1996	72010163	螺栓M6×25	Bolt M6×25		
2	31461-084-0000	73131491	起动机电线线夹	Wire Clamper, Starter motor		
3	19800-084-0000	17070010	风扇盖总成			
4	GB/T 9456-1988	72030461	自攻螺钉ST M5×16	Scerw ST M5×16		
5	GB/T 16674-1996	72011498	螺栓M6×18	Bolt M6×18		
6	19810-084-0000	17070011	风扇叶轮组合	Fan impeller assy		
7	GB/T6177.1-2000	72020126	螺母M12×1.25	NUT M12×1.25		
8	GB/T97.1-2002	72040067	垫圈12	Washer12		
9	31130-084-0000	31150093	磁电机转子组合	Rotor assy, magneto		
10	GB/T5786-2000	72011499	螺栓M6×20	Bolt M6×20		
11	GB/T5780-2000	72011500	螺栓M5×12	Bolt M5×12		
12	31210-084-0000	31140147	磁电机定子组合	Stator assy, magneto		
13	19730-084-0000	73011920	导风罩组合B	Lead wind cover assy B		
14	19720-084-0000	73011921	导风罩组合A	Lead wind cover assy A		
15	GB/T 9456-1988	72030461	自攻螺钉ST M5×16	Scerw ST M5×16		
16	19742-084-0000	73131492	溢油管夹	Spill oil pipe nip		
17	GB/T 16674-1996	72010163	螺栓M6×25	Bolt M6×25		



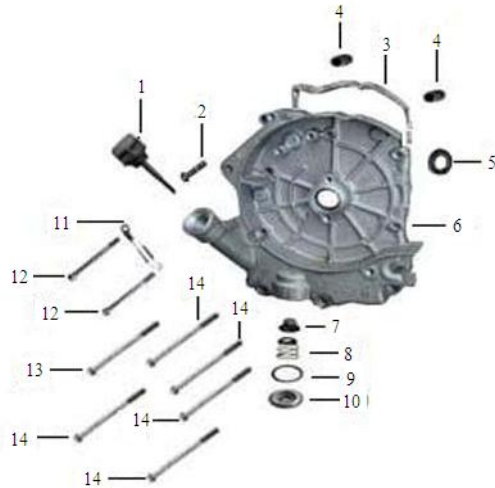
汽缸头盖/汽缸头 Cylinder head cover/Cylinder head

NO.	PARTS CODE	物料号	零部件名称	DESCRIPTION	UNIT PRICE	ORDER QTY
1	20162-084-0000	11050019	缸头废气管	Waste pipe, cylinder head		
2	GB/T 16674-1996	72010163	螺栓M6×25	Bolt M6×25		
3	12310-084-0000	22150131	汽缸头盖	Cylinder head cover		
4	14411-084-0000	22050023	进气摇臂	Intake valve rocker arm		
5	14414-084-0000	22100005	摇臂座	Rocker arm seat		
6	14100-084-0000	22080033	凸轮轴装配组合	Camshaft assembly assy		
7	GB/T899-1988	72011501	双头螺柱M6-M6×50	Stud M6×50		
8	14752-084-0000	22040011	气门锁夹	Valve lock nip		
9	14751-084-0000	22030011	气门弹簧上座	Valve spring seat		
10	14755-084-0000	72120095	气门外弹簧	Spring, vavle outer		
11	14756-084-0000	72120096	气门内弹簧	Spring, vavle inner		
12	14730-050-0000	72110025	挡油罩	Cap, control oil		
13	14757-050-0000	73130487	气门外弹簧座	Valve outer spring seat		
14	14720-050-0000	22030003	排气门	Valve, intake		
15	14710-050-0000	22030004	进气门	Valve, exhaust		
16	12210-084-0000	22010434	汽缸头组合	Cylinder head assy		
17	12218-084-0000	72060097	汽缸头定位销	DOWL PIN		
18	12221-084-0000	72130412	汽缸头密封垫本体	Cylinder head seal		



汽缸体/活塞/曲轴 Cylinder/Piston/Crankshaft

NO.	PARTS CODE	物料号	零部件名称	DESCRIPTION	UNIT PRICE	ORDER QTY
1	13100-084-0000	21010087	曲轴连杆组合	Crankshaft connecting rod assy		
2	13222-084-0000	72080049	活塞销挡圈	Piston pin circlip		
3	13211-084-0000	21020068	活塞	Piston		
4	13221-084-0000	21040025	活塞销	Piston pin		
5	13320-084-0000	21030547	活塞环组	Piston ring set		
6	12118-084-0000	72060098	汽缸体定位销	DOWL PIN		
7	GB/T 16674-1996	72010386	螺栓M6×22	Bolt M6×22		
8	14515-084-0000	72030462	调节螺杆	Adjust screw		
9	14510-084-0000	15150006	张紧器本体	Tension ware reality		
10	12110-084-0000	27010192	汽缸体组合	Cylinder body assy		
11	14650-084-0000	73011922	张紧板	Tension plate		
12	14350-084-0000	15160027	正时链条	Timing chain		
13	14610-084-0000	73011922	导向板	Oriented wheel		
14	12121-084-0000	72130411	汽缸体密封垫	Cylinder body gasket		



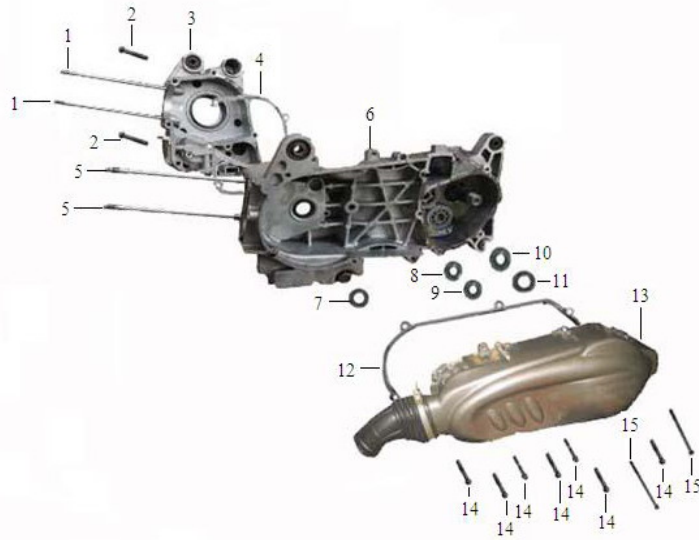
左曲轴箱盖 R-crankcase cover

NO.	PARTS CODE	物料号	零部件名称	DESCRIPTION	UNIT PRICE	ORDER QTY
1	15611-084-0000	73011924	机油尺	Dipstick		
2	GB/T 16674-1996	72010169	螺栓M6×35	Bolt M6×35		
3	11319-084-0000	72130413	右曲轴箱盖密封垫	R-crankcase cover gasket		
4	11318-084-0000	72060012	定位销8×14	Dowel pin8×14		
5	13180-084-0000	72110113	曲轴右油封	Crankshaft R-oil seal		
6	11311-084-0000	13011006	右曲轴箱盖	R-crankcase cover		
7	15450-084-0000	11060007	机油滤网组合	Oil filter gauze assy		
8	15461-084-0000	72120097	滤网弹簧	Spring, filter gauze		
9	15462-084-0000	72150136	机油滤网盖O型圈	O-Ring, oil filter gauze cover		
10	15463-084-0000	14080024	机油滤网盖	Oil filter gauze cover		
11	31381-084-0000	73131493	线夹	Wire clamp		
12	GB/T 16674-1996	72010398	螺栓M6×110	Bolt M6×110		
13	GB/T 16674-1996	72010396	螺栓M6×100	Bolt M6×100		
14	GB/T 16674-1996	72030395	螺栓M6×95	Bolt M6×95		



启动电机/机油泵 Starting motor/Oil pump assy

NO.	PARTS CODE	物料号	零部件名称	DESCRIPTION	UNIT PRICE	ORDER QTY
1	GB/T 16674-1996	72010155	螺栓M6×12	Bolt M6×12		
2	15151-084-0000	73131494	机油分隔板SEP	ARATER OIL		
3	15140-084-0000	15160028	机油泵驱动链条	CHAIN OIL PUMP		
4	GB/T6177.1-2000	72020037	螺母M6	NUT M6		
5	15121-084-0000	20060007	机油泵从动齿轮	DRIVEN REAR, OIL PUMP		
6	GB/T 16674-1996	72010168	螺栓M6×30	Bolt M6×30		
7	15100-084-0000	20010048	机油泵总成	OIL PUMP ASSY		
8	28311-084-0000	15110021	双联齿轮1	Dual-gear 1		
9	28321-084-0000	24080013	双联齿轮轴	Axle, dual-gear		
10	31400-084-0000	31160134	启动电机	Starting motor		
11	GB/T 16674-1996	72010157	螺栓M6×16	Bolt M6×16		
12	28110-084-0000	31210013	启动离合器组合			
13	28161-084-0000	15110022	启动离合器齿轮	Gear, start clutch		
14	28172-084-0000	73131495	启动离合器齿轮垫圈	Gear washer, start clutch		
15	28173-084-0000	72020378	盘盖M22	Lock nutM22		



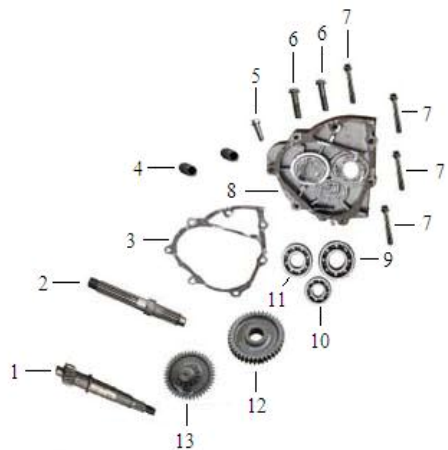
曲轴箱 Crankcase

NO.	PARTS CODE	物料号	零部件名称	DESCRIPTION	UNIT PRICE	ORDER QTY
1	12342-084-0000	72011502	气缸螺栓A	Cylinder bolt A		
2	GB/T16674-1996	72010173	螺栓M6×50	Bolt M6×50		
3	11110-084-0000	12010132	右曲轴箱组合	R-crankcase assy		
4	11119-084-0000	72130414	曲轴箱密封垫	Crankcase gasket		
5	12343-084-0000	72011503	气缸螺栓B	Cylinder bolt B		
6	11210-084-0000	11010330	左曲轴箱组合	L-crankcase assy		
7	13190-084-0000	72110114	曲轴左油封	Crankshaft L-oil seal		
8	GB/T276-1994	70090082	轴承6002	Bearing6002		
9	GB/T276-1994	70080036	轴承6301	Bearing 6301		
10	GB/T276-1994	70090104	轴承6004DU	Bearing6004DU		
11	23790-084-0000	72110115	副轴油封	Oil seal, countershaft		
12	11419-084-0000	72130415	左曲轴箱盖密封垫	L-crankcase cover gasket		
13	11411-084-0000	14010507	左曲轴箱盖	L-crankcase cover		
14	GB/T16674-1996	72010389	螺栓 M6×40	Bolt M6×40		
15	GB/T16674-1996	72010392	螺栓 M6×65	Bolt M6×65		



皮带/主动轮/从动轮 Belt,Driving/Driven Pulley

NO.	PARTS CODE	物料号	零部件名称	DESCRIPTION	UNIT PRICE	ORDER QTY
1		24070069	从动轮滑动盘组合			
2	21310-084-0000	24070070	离合器从动盘组合	Driven disc set		
3	21391-084-0000	24070071	(蝶形) 垫圈12.2×29×2.5	(butterfly) Washer12.2×29×2.5		
4	21392-084-0000	24070072	锁紧螺母M12	Lock nut M12		
5	27231-084-0000	15110023	起动从动齿轮(20T)	Driven gear(20T)		
6	23142-084-0000	24070073	卡盘	Clamp		
7	23143-084-0000	24070074	卡盘滑块	Slide, Clamp		
8	23130-084-0000	24070075	离心碾子组合	Roller		
9	23120-084-0000	24070076	主动轮滑动盘组合	Movable block		
10	23100-084-0000	24070077	皮带	Drive belt		
11	23146-084-0000	24070078	套筒24×28×30	Bush 24×28×30		
12	23111-084-0000	24070079	主动轮固定盘	Set,plate		
13	23144-084-0000	24070071	垫圈12.2×29×2.5	Washer 12.2×29×2.5		
14	23145-084-0000	24070072	紧固螺母M12	Fixing nut M12		



传动系统 Transmission System

NO.	PARTS CODE	物料号	零部件名称	DESCRIPTION	UNIT PRICE	ORDER QTY
1	24821-084-0000	70110008	传动轴	Transmission shaft		
2	24911-084-0000	70110007	转速输出轴	Export axle, speed		
3	24812-084-0000	72130416	传动箱密封垫	Gasket		
4	11318-084-0000	72060012	定位销8×14	Dowel pin8×14		
5	GB/T16674-1996	72010183	螺栓M8×12	Bolt M8×12		
6	GB/T16674-1996	72010387	螺栓M6×28	Bolt M6×28		
7	GB/T16674-1996	72010169	螺栓M6×35	Bolt M6×35		
8	24811-084-0000	11010331	传动箱	Transmission case		
9	GB/T276-1994	70090005	轴承6204	Bearing 6204		
10	GB/T276-1994	70090006	轴承6202	Bearing6202		
11	GB/T276-1994	70090005	轴承6204	Bearing 6204		
12		15060085	转速输出齿			
13	24831-084-0000	70110009	中间轴组合	Counter shaft		